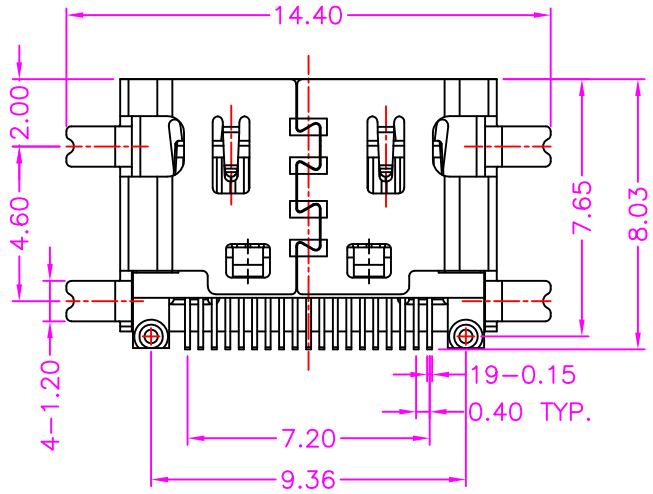


P.C.B LAYOUT
TOP VIEW ±0.05



MATERIALS

HOUSING: HI-TEMP. PLASTIC (UL 94V-0)
SHELL: COPPER ALLOY
TERMINAL: COPPER ALLOY, GOLD PLATED ON CONTACT AREA
TIN PLATING ON SOLDER TAIL

SPECIFICATION

CURRENT RATING: 0.5 AMP MAX
DIELECTRIC WITHSTANDING: 300V AC FOR ONE MINUTE
CONTACT RESISTANCE: 30m OHMS MAX
INSULATION RESISTANCE: 100M OHMS MIN AT DC 500V
OPERATION TEMPERATURE: -25°C~+70°C

PART NUMBER:

2HDHK - 1 9 * T - 1 2 0

SERIES NO. OF POS. CONTACT PLATED OPTION TAPES REEL PACKAGE TIN PLATING ON SOLDER TAIL

CONTACT PLATED OPTION

- 1: GOLD FLASH
- 3: 3u" GOLD
- 5: 5u" GOLD
- 6: 10u" GOLD
- 7: 15u" GOLD
- 9: 30u" GOLD

Cyberconn Technology Co., Ltd. www.cyberconn.com.tw Tel:+886-3-4951314						
TOLERANCES		TITLE HDMI CONNECTOR SERIES				
X.X ±0.3		MINI HDMI C TYPE, 0.40mm PITCH, PCB MOUNT, SMT				
X.XX ±0.2		BOARD CUT TYPE, METAL SHIELD, FEMALE, 19PIN, WITH POST				
X.XXX ±0.1		DRAWN BY		CHECKED BY		APPROVED BY
Angle ±5°		Janice		Lion		Benson
		UNIT	SCALE	SIZE	DRAW NO.	REV. Sheet
10096		MM	NONE	A4	2HDHK-001	A 1/1

A	RELEASE	2011.10.11
REV.	DESCRIPTION	DATE