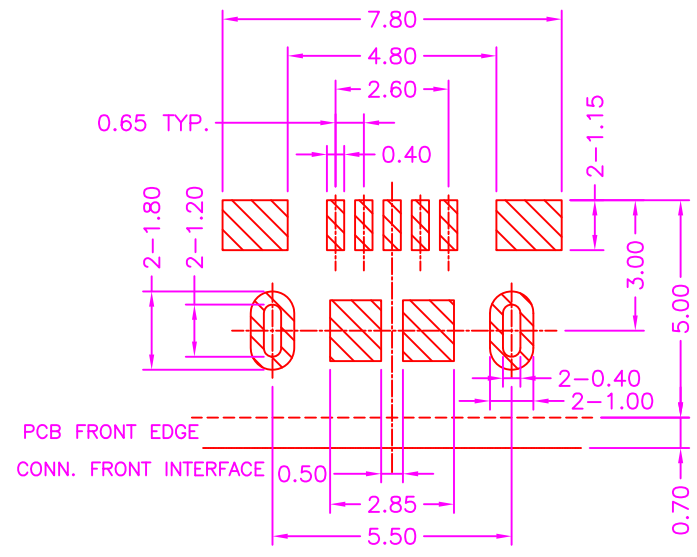
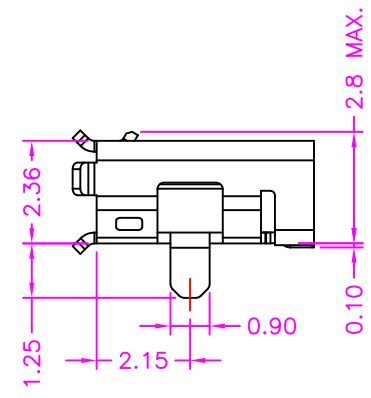
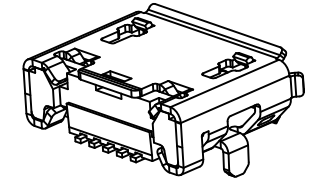
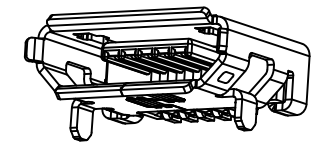


**MATERIALS**

HOUSING: HI-TEMP. PLASTIC (UL 94V-0), BLACK  
 SHELL: COPPER ALLOY, TIN PLATING  
 TERMINAL: COPPER ALLOY, GOLD PLATING

**SPECIFICATION**

CURRENT RATING: 1.8 AMP MAX (ONLY PIN 1, 5), OTHER 1 AMP MAX  
 DIELECTRIC WITHSTANDING: 100V AC FOR ONE MINUTE  
 CONTACT RESISTANCE: 30m OHMS MAX  
 INSULATION RESISTANCE: 100M OHMS MIN AT DC 500V  
 OPERATION TEMPERATURE: -25°C~+105°C



P.C.B. LAYOUT  
TOP VIEW ±0.05

PART NUMBER:  
2USTA - 0 5 \* - 1 \* 5

SERIES ————  
 NO. OF POS. ————  
 PACKAGE OPTION  
 2: TAPE REEL  
 3: TUBE

CONTACT PLATED OPTION  
 1: GOLD FLASH  
 3: 3u" GOLD  
 5: 5u" GOLD  
 7: 15u" GOLD  
 9: 30u" GOLD

<b>Cyberconn Technology Co., Ltd.</b> www.cyberconn.com.tw Tel: +886-3-4951314		USB CONNECTOR SERIES MICRO USB B TYPE, PCB MOUNT, SMT METAL SHIELD, FEMALE					
		TOLERANCES	TITLE	DRAWN BY	CHECKED BY	APPROVED BY	
X.X ±0.3		Janice	Lion	Benson			
X.XX ±0.2		UNIT	SCALE	SIZE	DRAW NO.	REV.	
X.XXX ±0.1		MM	NONE	A4	2USTA-005	A	
Angle ±5°	10074					Sheet 1/1	

A	RELEASE	2013.5.9
REV.	DESCRIPTION	DATE